

Projekt: 1 1

/ 1

**Podatki o projektu**

Naslov : 1  
 Komponenta : 1  
 Št. načrta : 1  
 Gradbena faza : TEMELJ

**All total length of bar profiles outer dimension**

PALIČNA ARMATURA Jeklo: B500B Gradbena faza: TEMELJ							
Poz.	Kom.	fi	Dolžina	D16	D18	D22	D25
1	6	18	2.000		12.000		
2	34	18	12.000		408.000		
3	48	18	4.240*		203.520		
4	48	18	3.820*		183.360		
5	74	18	3.650*		270.100		
6	76	18	4.060*		308.560		
7	34	18	7.300*		248.200		
8	34	25	12.000				408.000
9	34	25	7.300*				248.200
10	68	16	2.660	180.880			
11	68	22	2.500			170.000	
12	120	18	2.400		288.000		
13	16	25	2.630				42.080
14	88	18	3.700		325.600		
15	88	18	4.430		389.840		
16	6	18	3.400		20.400		
17	6	18	4.580		27.480		
18	6	18	5.210		31.260		
19	6	18	4.380		26.280		
20	200	16	3.240	648.000			
21	24	18	6.750		162.000		

\* = srednja

Skupna dolžina		828.880	2904.600	170.000	698.280
kg / m		D16 1.621	D18 2.020	D22 3.092	D25 3.951
kg / d		1343.615	5867.292	525.640	2758.904

Skupna masa (kg) 10495.451

**Fiksne in standardne dolžine Jeklo: B500B Gradbena faza: TEMELJ**

fi(mm)	Skupna L	kg/m	Masa(kg)
18	818.200	2.020	1652.764
25	656.200	3.951	2592.646

Skupna masa (kg) 4245.410

**strojno Jeklo: B500B Gradbena faza: TEMELJ**

fi(mm)	Skupna L	kg/m	Masa(kg)
16	828.880	1.621	1343.615
18	2086.400	2.020	4214.528
22	170.000	3.092	525.640
25	42.080	3.951	166.258

Skupna masa (kg) 6250.041

Projekt: 1 1

/ 1

**Povzetek izvlečka Jeklo: B500B Gradbena faza: TEMELJ**

Fiksne in standardne dolžine	4245.410
strojno	6250.041

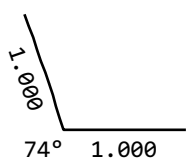



-----  
Skupna masa (kg) 10495.451  
-----

Projekt: 1 1

/ 1

**Podatki o projektu**

Naslov : 1  
Komponenta : 1  
Št. načrta : 1  
Gradbena faza : TEMELJ

IZVLEČEK ARMATURE Jeklo: B500B Gradbena faza: TEMELJ																																														
Poz.	fi	Dolžina	Kos.	dbr fi	Tip	Oblika							Skupna dolžina	Masa [kg]																																
						a	b	c	d	e	R	h																																		
1	18	2.000	6	4	99	 <p>Št. dx dy l &gt;° r chord oblika Kot 1 0.320 -0.947 1.000 74 13.223 1.000 0.009 4 2 1.000 0.000 1.000</p>							12.000	24.240																																
2	18	12.000	34	4	00	12.000							408.000	824.160																																
3	18	--	48	4	11	1.100	2.850						203.520	411.110																																
						 <p>-b-</p> <table border="1"> <thead> <tr> <th>Poz.</th> <th>Kos.</th> <th>Dolžina</th> <th>-b-</th> </tr> </thead> <tbody> <tr><td>1</td><td>6</td><td>3.950</td><td>2.850</td></tr> <tr><td>2</td><td>6</td><td>4.080</td><td>2.980</td></tr> <tr><td>3</td><td>8</td><td>4.180</td><td>3.080</td></tr> <tr><td>4</td><td>12</td><td>4.290</td><td>3.190</td></tr> <tr><td>5</td><td>16</td><td>4.390</td><td>3.290</td></tr> </tbody> </table>							Poz.	Kos.	Dolžina	-b-	1	6	3.950	2.850	2	6	4.080	2.980	3	8	4.180	3.080	4	12	4.290	3.190	5	16	4.390	3.290										
Poz.	Kos.	Dolžina	-b-																																											
1	6	3.950	2.850																																											
2	6	4.080	2.980																																											
3	8	4.180	3.080																																											
4	12	4.290	3.190																																											
5	16	4.390	3.290																																											
4	18	--	48	4	11	1.100	2.700						183.360	370.387																																
						 <p>-b-</p> <table border="1"> <thead> <tr> <th>Poz.</th> <th>Kos.</th> <th>Dolžina</th> <th>-b-</th> </tr> </thead> <tbody> <tr><td>1</td><td>6</td><td>3.800</td><td>2.700</td></tr> <tr><td>2</td><td>6</td><td>3.920</td><td>2.820</td></tr> <tr><td>3</td><td>8</td><td>4.040</td><td>2.940</td></tr> <tr><td>4</td><td>6</td><td>3.890</td><td>2.790</td></tr> <tr><td>5</td><td>8</td><td>3.760</td><td>2.660</td></tr> <tr><td>6</td><td>14</td><td>3.670</td><td>2.570</td></tr> </tbody> </table>							Poz.	Kos.	Dolžina	-b-	1	6	3.800	2.700	2	6	3.920	2.820	3	8	4.040	2.940	4	6	3.890	2.790	5	8	3.760	2.660	6	14	3.670	2.570						
Poz.	Kos.	Dolžina	-b-																																											
1	6	3.800	2.700																																											
2	6	3.920	2.820																																											
3	8	4.040	2.940																																											
4	6	3.890	2.790																																											
5	8	3.760	2.660																																											
6	14	3.670	2.570																																											
5	18	--	74	4	11	1.100	2.610						270.100	545.602																																
						 <p>-b-</p> <table border="1"> <thead> <tr> <th>Poz.</th> <th>Kos.</th> <th>Dolžina</th> <th>-b-</th> </tr> </thead> <tbody> <tr><td>1</td><td>20</td><td>3.710</td><td>2.610</td></tr> <tr><td>2</td><td>8</td><td>3.830</td><td>2.730</td></tr> <tr><td>3</td><td>6</td><td>3.950</td><td>2.850</td></tr> <tr><td>4</td><td>6</td><td>3.980</td><td>2.880</td></tr> <tr><td>5</td><td>4</td><td>3.840</td><td>2.740</td></tr> <tr><td>6</td><td>4</td><td>3.720</td><td>2.620</td></tr> <tr><td>7</td><td>4</td><td>3.610</td><td>2.510</td></tr> </tbody> </table>							Poz.	Kos.	Dolžina	-b-	1	20	3.710	2.610	2	8	3.830	2.730	3	6	3.950	2.850	4	6	3.980	2.880	5	4	3.840	2.740	6	4	3.720	2.620	7	4	3.610	2.510		
Poz.	Kos.	Dolžina	-b-																																											
1	20	3.710	2.610																																											
2	8	3.830	2.730																																											
3	6	3.950	2.850																																											
4	6	3.980	2.880																																											
5	4	3.840	2.740																																											
6	4	3.720	2.620																																											
7	4	3.610	2.510																																											

Projekt: 1 1

/ 1

IZVLEČEK ARMATURE Jeklo: B500B Gradbena faza: TEMELJ														
Poz.	fi	Dolžina	Kos.	dbr fi	Tip	Oblika							Skupna dolžina	Masa [kg]
						a	b	c	d	e	R	h		
5						Poz.	Kos.	Dolžina	-b-					
						8	6	3.470	2.370					
						9	6	3.350	2.250					
						10	8	3.230	2.130					
						11	2	3.210	2.110					
6	18	--	76	4	11	1.100	3.230						308.560	623.291
						1.100								
						-b-								
						Poz.	Kos.	Dolžina	-b-					
						1	26	4.330	3.230					
						2	10	4.230	3.130					
						3	8	4.130	3.030					
						4	6	4.030	2.930					
						5	6	3.920	2.820					
						6	6	3.790	2.690					
						7	4	3.690	2.590					
						8	4	3.590	2.490					
						9	4	3.470	2.370					
						10	2	3.410	2.310					
7	18	--	34	4	00	9.370							248.200	501.364
						-a-								
						Poz.	Kos.	Dolžina	-a-					
						1	4	9.370	9.370					
						2	2	9.500	9.500					
						3	1	9.430	9.430					
						4	1	9.190	9.190					
						5	1	8.950	8.950					
						6	1	8.720	8.720					
						7	1	8.490	8.490					
						8	1	8.280	8.280					
						9	1	8.070	8.070					
						10	1	7.860	7.860					
						11	1	7.670	7.670					
						12	1	7.470	7.470					
						13	1	7.290	7.290					
						14	1	7.110	7.110					
						15	1	6.930	6.930					
						16	1	6.760	6.760					
						17	1	6.600	6.600					
						18	1	6.440	6.440					
						19	1	6.280	6.280					
						20	1	6.130	6.130					
						21	1	5.990	5.990					
						22	1	5.850	5.850					
						23	1	5.710	5.710					
						24	1	5.580	5.580					
						25	1	5.450	5.450					
						26	1	5.330	5.330					
						27	1	5.210	5.210					
						28	1	5.090	5.090					
						29	1	4.980	4.980					
						30	1	4.880	4.880					
8	25	12.000	34	7	00	12.000							408.000	1612.008
						12.000								
9	25	--	34	7	00	9.370							248.200	980.638
						-a-								

Projekt: 1 1

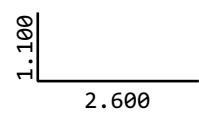
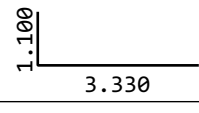
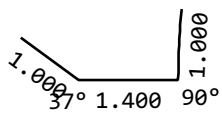
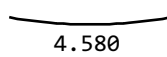
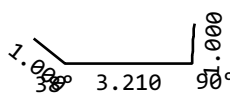
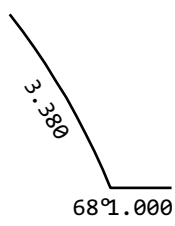
/ 1

IZVLEČEK ARMATURE Jeklo: B500B Gradbena faza: TEMELJ

Poz.	fi	Dolžina	Kos.	dbr fi	Tip	Oblika							Skupna dolžina	Masa [kg]																																																																																																																												
						a	b	c	d	e	R	h																																																																																																																														
9						<table border="1"> <thead> <tr> <th>Poz.</th> <th>Kos.</th> <th>Dolžina</th> <th>-a-</th> </tr> </thead> <tbody> <tr><td>1</td><td>4</td><td>9.370</td><td>9.370</td></tr> <tr><td>2</td><td>2</td><td>9.500</td><td>9.500</td></tr> <tr><td>3</td><td>1</td><td>9.430</td><td>9.430</td></tr> <tr><td>4</td><td>1</td><td>9.190</td><td>9.190</td></tr> <tr><td>5</td><td>1</td><td>8.950</td><td>8.950</td></tr> <tr><td>6</td><td>1</td><td>8.720</td><td>8.720</td></tr> <tr><td>7</td><td>1</td><td>8.490</td><td>8.490</td></tr> <tr><td>8</td><td>1</td><td>8.280</td><td>8.280</td></tr> <tr><td>9</td><td>1</td><td>8.070</td><td>8.070</td></tr> <tr><td>10</td><td>1</td><td>7.860</td><td>7.860</td></tr> <tr><td>11</td><td>1</td><td>7.670</td><td>7.670</td></tr> <tr><td>12</td><td>1</td><td>7.470</td><td>7.470</td></tr> <tr><td>13</td><td>1</td><td>7.290</td><td>7.290</td></tr> <tr><td>14</td><td>1</td><td>7.110</td><td>7.110</td></tr> <tr><td>15</td><td>1</td><td>6.930</td><td>6.930</td></tr> <tr><td>16</td><td>1</td><td>6.760</td><td>6.760</td></tr> <tr><td>17</td><td>1</td><td>6.600</td><td>6.600</td></tr> <tr><td>18</td><td>1</td><td>6.440</td><td>6.440</td></tr> <tr><td>19</td><td>1</td><td>6.280</td><td>6.280</td></tr> <tr><td>20</td><td>1</td><td>6.130</td><td>6.130</td></tr> <tr><td>21</td><td>1</td><td>5.990</td><td>5.990</td></tr> <tr><td>22</td><td>1</td><td>5.850</td><td>5.850</td></tr> <tr><td>23</td><td>1</td><td>5.710</td><td>5.710</td></tr> <tr><td>24</td><td>1</td><td>5.580</td><td>5.580</td></tr> <tr><td>25</td><td>1</td><td>5.450</td><td>5.450</td></tr> <tr><td>26</td><td>1</td><td>5.330</td><td>5.330</td></tr> <tr><td>27</td><td>1</td><td>5.210</td><td>5.210</td></tr> <tr><td>28</td><td>1</td><td>5.090</td><td>5.090</td></tr> <tr><td>29</td><td>1</td><td>4.980</td><td>4.980</td></tr> <tr><td>30</td><td>1</td><td>4.880</td><td>4.880</td></tr> </tbody> </table>							Poz.	Kos.	Dolžina	-a-	1	4	9.370	9.370	2	2	9.500	9.500	3	1	9.430	9.430	4	1	9.190	9.190	5	1	8.950	8.950	6	1	8.720	8.720	7	1	8.490	8.490	8	1	8.280	8.280	9	1	8.070	8.070	10	1	7.860	7.860	11	1	7.670	7.670	12	1	7.470	7.470	13	1	7.290	7.290	14	1	7.110	7.110	15	1	6.930	6.930	16	1	6.760	6.760	17	1	6.600	6.600	18	1	6.440	6.440	19	1	6.280	6.280	20	1	6.130	6.130	21	1	5.990	5.990	22	1	5.850	5.850	23	1	5.710	5.710	24	1	5.580	5.580	25	1	5.450	5.450	26	1	5.330	5.330	27	1	5.210	5.210	28	1	5.090	5.090	29	1	4.980	4.980	30	1	4.880	4.880		
Poz.	Kos.	Dolžina	-a-																																																																																																																																							
1	4	9.370	9.370																																																																																																																																							
2	2	9.500	9.500																																																																																																																																							
3	1	9.430	9.430																																																																																																																																							
4	1	9.190	9.190																																																																																																																																							
5	1	8.950	8.950																																																																																																																																							
6	1	8.720	8.720																																																																																																																																							
7	1	8.490	8.490																																																																																																																																							
8	1	8.280	8.280																																																																																																																																							
9	1	8.070	8.070																																																																																																																																							
10	1	7.860	7.860																																																																																																																																							
11	1	7.670	7.670																																																																																																																																							
12	1	7.470	7.470																																																																																																																																							
13	1	7.290	7.290																																																																																																																																							
14	1	7.110	7.110																																																																																																																																							
15	1	6.930	6.930																																																																																																																																							
16	1	6.760	6.760																																																																																																																																							
17	1	6.600	6.600																																																																																																																																							
18	1	6.440	6.440																																																																																																																																							
19	1	6.280	6.280																																																																																																																																							
20	1	6.130	6.130																																																																																																																																							
21	1	5.990	5.990																																																																																																																																							
22	1	5.850	5.850																																																																																																																																							
23	1	5.710	5.710																																																																																																																																							
24	1	5.580	5.580																																																																																																																																							
25	1	5.450	5.450																																																																																																																																							
26	1	5.330	5.330																																																																																																																																							
27	1	5.210	5.210																																																																																																																																							
28	1	5.090	5.090																																																																																																																																							
29	1	4.980	4.980																																																																																																																																							
30	1	4.880	4.880																																																																																																																																							
10	16	2.660	68	4	21	0.800	1.060	0.800					180.880	293.206																																																																																																																												
11	22	2.500	68	7	11	0.400	2.100						170.000	525.640																																																																																																																												
12	18	2.400	120	4	11	2.000	0.400						288.000	581.760																																																																																																																												
13	25	2.630	16	7	99								42.080	166.258																																																																																																																												
						<table border="1"> <thead> <tr> <th>Št.</th> <th>dx</th> <th>dy</th> <th>l</th> <th>&gt;°</th> </tr> </thead> <tbody> <tr><td>1</td><td>0.654</td><td>-0.344</td><td>0.730</td><td>28</td></tr> <tr><td>2</td><td>1.600</td><td>0.000</td><td>1.600</td><td>90</td></tr> <tr><td>3</td><td>0.000</td><td>0.300</td><td>0.300</td><td></td></tr> </tbody> </table>							Št.	dx	dy	l	>°	1	0.654	-0.344	0.730	28	2	1.600	0.000	1.600	90	3	0.000	0.300	0.300																																																																																																											
Št.	dx	dy	l	>°																																																																																																																																						
1	0.654	-0.344	0.730	28																																																																																																																																						
2	1.600	0.000	1.600	90																																																																																																																																						
3	0.000	0.300	0.300																																																																																																																																							

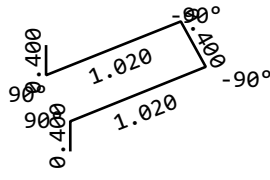
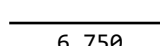
Projekt: 1 1

/ 1

IZVLEČEK ARMATURE Jeklo: B500B Gradbena faza: TEMELJ																																																		
Poz.	fi	Dolžina	Kos.	dbr fi	Tip	Oblika							Skupna dolžina	Masa [kg]																																				
						a	b	c	d	e	R	h																																						
14	18	3.700	88	4	11	1.100	2.600						325.600	657.712																																				
																																																		
15	18	4.430	88	4	11	1.100	3.330						389.840	787.477																																				
																																																		
16	18	3.400	6	4	99								20.400	41.208																																				
						<table border="1"> <thead> <tr> <th>Št.</th> <th>dx</th> <th>dy</th> <th>l</th> <th>&gt;°</th> <th>r</th> <th>chord</th> <th>oblika</th> <th>Kot</th> </tr> </thead> <tbody> <tr> <td>1</td> <td>0.802</td> <td>-0.597</td> <td>1.000</td> <td>37</td> <td></td> <td></td> <td></td> <td></td> </tr> <tr> <td>2</td> <td>1.407</td> <td>0.000</td> <td>1.400</td> <td>90</td> <td></td> <td></td> <td></td> <td></td> </tr> <tr> <td>3</td> <td>0.045</td> <td>0.999</td> <td>1.000</td> <td></td> <td>13.222</td> <td>1.000</td> <td>0.009</td> <td>4</td> </tr> </tbody> </table>							Št.	dx	dy	l	>°	r	chord	oblika	Kot	1	0.802	-0.597	1.000	37					2	1.407	0.000	1.400	90					3	0.045	0.999	1.000		13.222	1.000	0.009	4		
Št.	dx	dy	l	>°	r	chord	oblika	Kot																																										
1	0.802	-0.597	1.000	37																																														
2	1.407	0.000	1.400	90																																														
3	0.045	0.999	1.000		13.222	1.000	0.009	4																																										
17	18	4.580	6	4	67	4.580					13.202		27.480	55.510																																				
																																																		
18	18	5.210	6	4	99								31.260	63.145																																				
						<table border="1"> <thead> <tr> <th>Št.</th> <th>dx</th> <th>dy</th> <th>l</th> <th>&gt;°</th> <th>r</th> <th>chord</th> <th>oblika</th> <th>Kot</th> </tr> </thead> <tbody> <tr> <td>1</td> <td>0.786</td> <td>-0.619</td> <td>1.000</td> <td>38</td> <td></td> <td></td> <td></td> <td></td> </tr> <tr> <td>2</td> <td>3.215</td> <td>0.000</td> <td>3.210</td> <td>90</td> <td></td> <td></td> <td></td> <td></td> </tr> <tr> <td>3</td> <td>0.047</td> <td>0.999</td> <td>1.000</td> <td></td> <td>12.471</td> <td>1.000</td> <td>0.010</td> <td>5</td> </tr> </tbody> </table>							Št.	dx	dy	l	>°	r	chord	oblika	Kot	1	0.786	-0.619	1.000	38					2	3.215	0.000	3.210	90					3	0.047	0.999	1.000		12.471	1.000	0.010	5		
Št.	dx	dy	l	>°	r	chord	oblika	Kot																																										
1	0.786	-0.619	1.000	38																																														
2	3.215	0.000	3.210	90																																														
3	0.047	0.999	1.000		12.471	1.000	0.010	5																																										
19	18	4.380	6	4	99								26.280	53.086																																				
						<table border="1"> <thead> <tr> <th>Št.</th> <th>dx</th> <th>dy</th> <th>l</th> <th>&gt;°</th> <th>r</th> <th>chord</th> <th>oblika</th> <th>Kot</th> </tr> </thead> <tbody> <tr> <td>1</td> <td>1.690</td> <td>-2.917</td> <td>3.382</td> <td>68</td> <td>12.470</td> <td>3.371</td> <td>0.114</td> <td>16</td> </tr> <tr> <td>2</td> <td>1.000</td> <td>0.000</td> <td>1.000</td> <td></td> <td></td> <td></td> <td></td> <td></td> </tr> </tbody> </table>							Št.	dx	dy	l	>°	r	chord	oblika	Kot	1	1.690	-2.917	3.382	68	12.470	3.371	0.114	16	2	1.000	0.000	1.000																
Št.	dx	dy	l	>°	r	chord	oblika	Kot																																										
1	1.690	-2.917	3.382	68	12.470	3.371	0.114	16																																										
2	1.000	0.000	1.000																																															

Projekt: 1 1

/ 1

IZVLEČEK ARMATURE Jeklo: B500B Gradbena faza: TEMELJ														
Poz.	fi	Dolžina	Kos.	dbr fi	Tip	Oblika							Skupna dolžina	Masa [kg]
						a	b	c	d	e	R	h		
20	16	3.240	200	4	99								648.000	1050.408
						Št.	dx	dy	dz	l	>°			
						1	0.000	0.000	0.000	0.400	90			
						2	0.400	0.000	0.000	1.020	-90			
						3	0.400	1.020	0.000	0.400	-90			
						4	0.400	1.020	0.400	1.020	90			
						5	0.400	0.000	0.400	0.400				
						6	0.800	0.000	0.400					
21	18	6.750	24	4	00	6.750						162.000	327.240	
						 6.750								

Skupna masa (kg) 10495.451